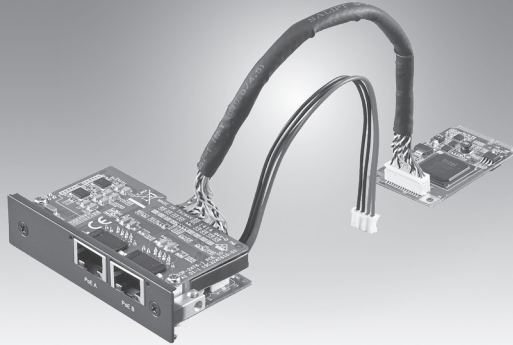


# PCM-24R2PE

2-Port Gigabit Ethernet, IEEE 802.3af (PoE) Compliant, mPCIe, RJ45

NEW



## Features

- Meets Advantech iDoor technology standard
- PCI Express® Mini card specification revision 1.2 compliant
- Supports 2 Gigabit Ethernet MAC controller and PHY ports
- Supports 24 VDC input power boost up to 15.4 W at 48 VDC per PoE port
- Supports PoE (Power over Ethernet), IEEE 802.3af compliant
- Powered device (PD) auto detection and classification
- Supports IEEE 802.3u auto-negotiation
- Supports 32/64-bit Windows 7/8, Linux 2.4/2.6
- Supports embedded automation PC UNO-2400 series
- Supports control DIN-Rail PC UNO-1300/1400 series
- Supports control cabinet PC UNO-3200/3300/3400 series

## Introduction

The PCM-24 series are communication modules from Advantech iDoor Technology. They are all compatible with PCI Express® Mini Card Specification Revision 1.2, including isolated / non-isolated RS-232/422/485 communication cards for automation control, Wi-Fi/3G/GPS/GSM/LTE wireless communication models for data exchange for management and machine level automation applications; ZigBee module serves as an IoT terminal or controller and PoE function for smart cameras in detection-inspection-production applications. This is a flexible design that enables customers to customize their features with iDoor Technology.

## Specifications

### General

- Bus Type** PCI Express Mini Card Revision 1.2
- Certification** CE, FCC class A
- Connectors** 2 x RJ45 GbE Half-/Full-Duplex
- Dimensions** Module: 51 x 30 x 12.4 mm (2" x 1.18" x 0.49")  
I/O Plate: 81 x 19.4 x 41 mm (3.19" x 0.76" x 1.61")

\*Shielding ethernet cable is recommended for use in PoE applications.

### Communications

- PoE Controller** MICROSEMI\_PD69101ILQ-TR
- Compatibility** IEEE 802.3, IEEE 802.3u, IEEE802.3ab, IEEE802.3x, IEEE802.3af
- Speed** 10/100/1000 Mbps
- No. of Ports** 2 Gigabit Ethernet Media Access Control (MAC) and physical layer (PHY) ports.

### Power Requirements

- Input Voltage** 24 V<sub>DC</sub>
- Overload Current** Present Protection
- Connection** Internal 24 V<sub>DC</sub>  
External 24 V<sub>DC</sub> Phoenix terminal block (Optional add-on)
- Output PoE Power** 48 V<sub>DC</sub> PoE Power output PCM-24R2PE  
Supports 2 PoE ports up to 2 x 15.4 W at 48 V<sub>DC</sub>

### Protection

- Isolation Protection** 1,600 V<sub>DC</sub>
- ESD Protection** 4KV (Contact), 8KV (Air)
- EFT Protection** 1,000 V

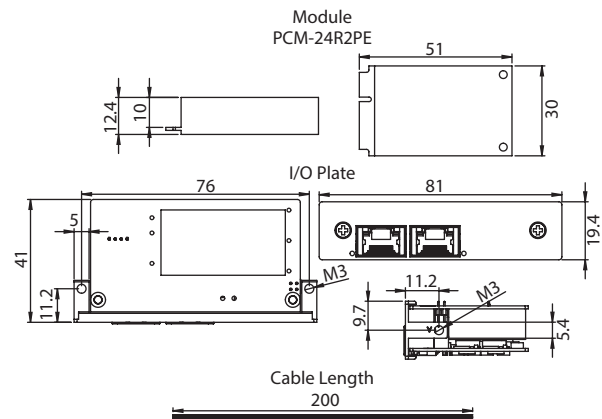
### Software

- OS Support** Microsoft® Windows® XP/7/8, Linux 2.4/2.6

### Environment

- Operating Humidity** 5 ~ 95% RH
- Operating Temperature** -20 ~ 50°C (-4 ~ 122°F)
- Storage Temperature** -25 ~ 80°C (-13 ~ 176°F)

## Dimensions



## Ordering Information

- PCM-24R2PE-AE** 2-Port Gigabit Ethernet, IEEE 802.3af (PoE) Compliant, mPCIe, RJ45